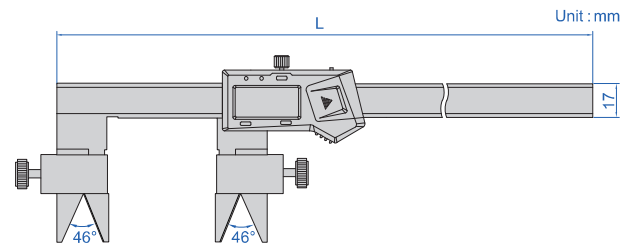
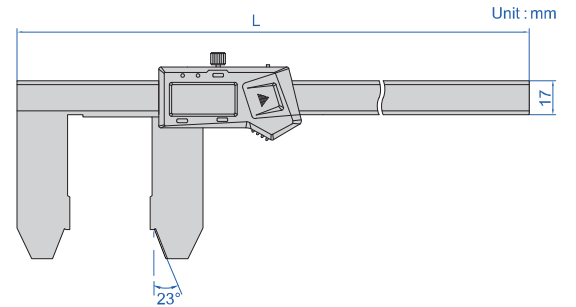
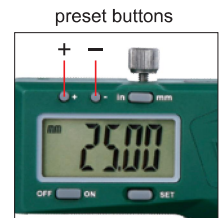


# OCTAGONAL RING JOINT GASKET (GRO) DIGITAL CALIPERS

DATA  
OUTPUT



- Non waterproof
- Resolution: 0.01mm/0.0005"
- Buttons: on/off, set, mm/inch, preset (+, -)
- Automatic power off, move the digital unit to turn on power
- Battery CR2032, data output
- Made of stainless steel

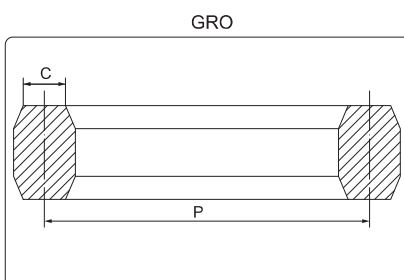


With data interface (optional wireless transmitter code 7315-25, receiver is needed)

Code	Range	Accuracy	L	Remark
1504-300A	5-300mm/.2-12"	±0.05mm	409mm	measure ring face width (C) of GRO
1504-300B	25-300mm/1-12"	±0.05mm	409mm	measure pitch diameter (P) of GRO

Built-in wireless (receiver code 7315-2/3/6/7/8/9 is needed)

Code	Range	Accuracy	L	Remark
1504-300AWL	5-300mm/.2-12"	±0.05mm	409mm	measure ring face width (C) of GRO
1504-300BWL	25-300mm/1-12"	±0.05mm	409mm	measure pitch diameter (P) of GRO



measure ring face width of GRO



measure pitch diameter of GRO

